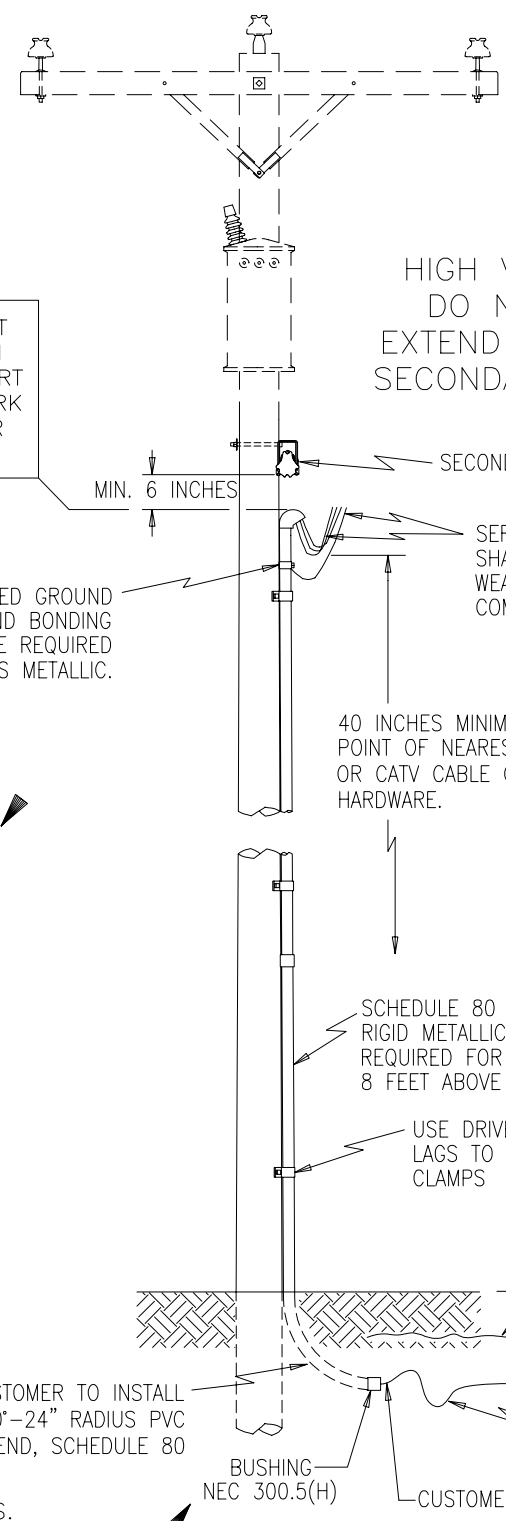


CAUTION: UNQUALIFIED PERSONNEL MUST REMAIN 10 FEET BELOW THIS ELEVATION WITH MATERIAL, EQUIPMENT, OR ANY PART OF THEIR BODY WHEN PERFORMING WORK RELATED ACTIVITIES. SERIOUS INJURY OR DEATH MAY RESULT.

DANGER
HIGH VOLTAGE ABOVE
DO NOT CLIMB OR
EXTEND CONDUIT ABOVE
SECONDARY OR NEUTRAL



APPROVED GROUND CLAMP AND BONDING JUMPERS ARE REQUIRED WHEN CONDUIT IS METALLIC.

SERVICE ENTRANCE CONDUCTORS SHALL EXTEND AT LEAST 5 FT FROM WEATHERHEAD FOR CONNECTION BY COMPANY TO OVERHEAD POWER SOURCE.

40 INCHES MINIMUM TO ATTACHMENT POINT OF NEAREST COMMUNICATION OR CATV CABLE OR ATTACHMENT HARDWARE.

SCHEDULE 80 PVC OR RIGID METALLIC CONDUIT IS REQUIRED FOR THE FIRST 8 FEET ABOVE FINISHED GRADE.

USE DRIVE POINT LAGS TO SECURE CLAMPS

WARNING RIBBON 12" ABOVE SERVICE LATERAL NEC 300.5(D)3

24 INCHES MINIMUM COVER

CUSTOMER TO INSTALL 90°-24" RADIUS PVC BEND, SCHEDULE 80

BUSHING NEC 300.5(H)

ALLOW SLACK IN CABLE FOR SETTLING, IF DIRECT BURIED.

CUSTOMER SERVICE LATERAL


IT IS THE RESPONSIBILITY OF THE INSTALLER TO BE "QUALIFIED" TO INSTALL ELECTRICAL EQUIPMENT IN THE VICINITY OF OVERHEAD DISTRIBUTION LINES AS DESCRIBED IN OSHA 1910 SUBPARTS R & S. ALL SERVICE INSTALLATIONS SHALL MEET ALL FEDERAL, STATE, AND LOCAL CODES AND REGULATIONS.

NOTES:

1. CONDUIT SYSTEMS SHALL BE INSTALLED PER NEC AND LOCAL REQUIREMENTS.
2. SUSSEX REC SHALL PROVIDE AND INSTALL SERVICE LATERAL AND RISER GUARD PER COMPANY CONSTRUCTION STANDARDS.
3. DO NOT EXTEND CONDUIT ABOVE THE SECONDARY OR NEUTRAL POSITION AT ANY TIME.
4. CONDUIT SHALL MAINTAIN A MINIMUM CLEARANCE OF 6" BELOW THE SECONDARY OR NEUTRAL.
5. CUSTOMER SHALL PROVIDE ADDITIONAL CONTINUOUS CABLE OF SUFFICIENT LENGTH (5 FT MINIMUM) TO CONNECT WITH OVERHEAD SOURCE.
6. COMPANY SHALL DETERMINE THE LOCATION/POSITION OF VERTICAL RISERS ON THE POLE BASED ON TRAFFIC FLOW AND LOCATION OF CATV, OR TELEPHONE CO. ATTACHMENTS.

MATERIAL	SUPPLIED BY	INSTALLED BY
POLE	COMPANY	COMPANY
TRENCHING	CUSTOMER	CUSTOMER
CONDUIT & HARDWARE	CUSTOMER	CUSTOMER
SERVICE LATERAL	CUSTOMER	CUSTOMER
CONDUCTOR (NOTE 5)	CUSTOMER	CUSTOMER

SUSSEX RURAL ELECTRIC COOPERATIVE



64 County Route 639
Sussex, New Jersey 07461

**DIRECT ATTACHMENT OF
CUSTOMER UNDERGROUND
SECONDARY SERVICE LATERALS**

Service Guide	Rev.
	1
EXHIBIT 6A	Date
	4/07