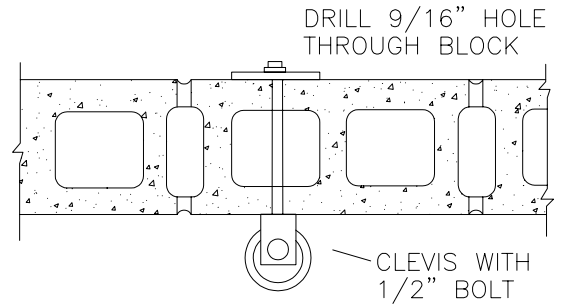
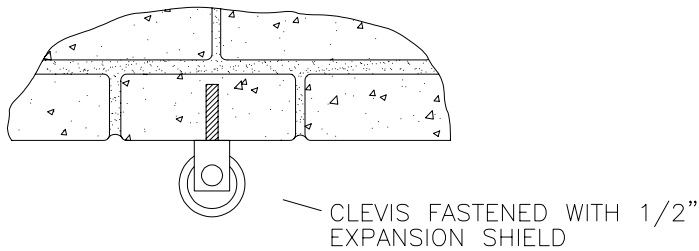


WOOD, ALUMINUM, OR COMPOSITION SIDING

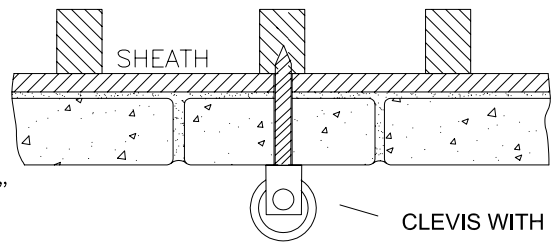


CINDER OR CEMENT BLOCK

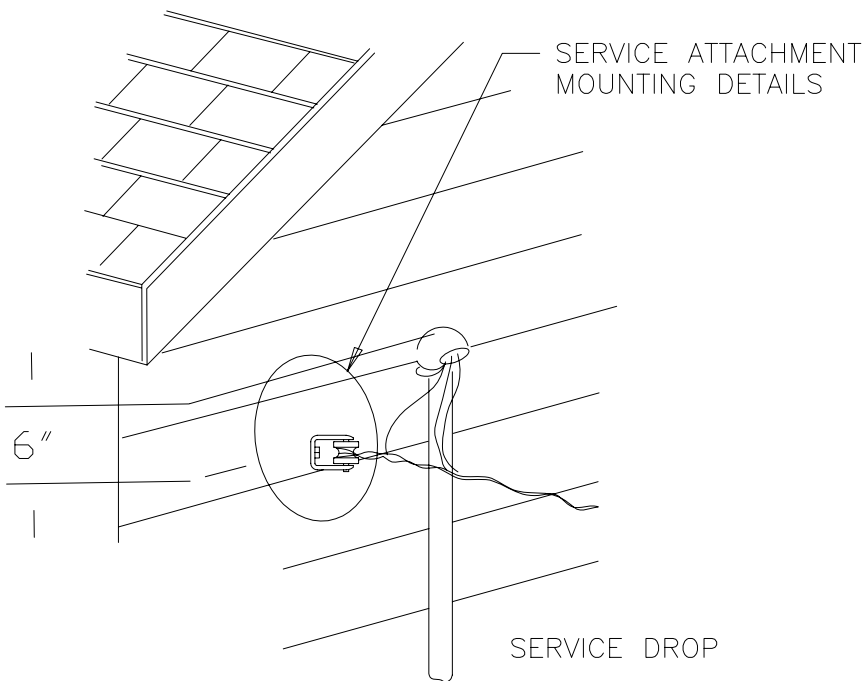
TO BE INSTALLED IN THE BRICK OR POURED CEMENT ONLY. NOT IN THE BRICK MORTAR.



SOLID BRICK OR CONCRETE MASONRY




BRICK VENEER



NOTES:

1. SERVICE DROP CLEARANCE ABOVE GRADE, ALLEYS, DRIVEWAYS AND AREAS SUBJECT TO TRUCK TRAFFIC, SHALL BE IN ACCORDANCE WITH NESC. MINIMUM GROUND CLEARANCE OF 10' TO THE BOTTOM OF THE DRIP LOOP IS REQUIRED PER NEC.
2. CUSTOMER MUST INSTALL SERVICE ATTACHMENT AT LOCATION APPROVED BY COMPANY.

SUSSEX RURAL ELECTRIC COOPERATIVE  64 County Route 639 Sussex, New Jersey 07461	OVERHEAD SERVICE SERVICE DROP ATTACHMENT	Service Guide	Rev.
		EXHIBIT 3A	1 Date 6/07