

Compact Flood Series 51

Heavy Duty Floodlight

70-400W HPS, 175-400W MH, 100-400W MV, 250/400 Dual-Watt HPS

PRODUCT OVERVIEW

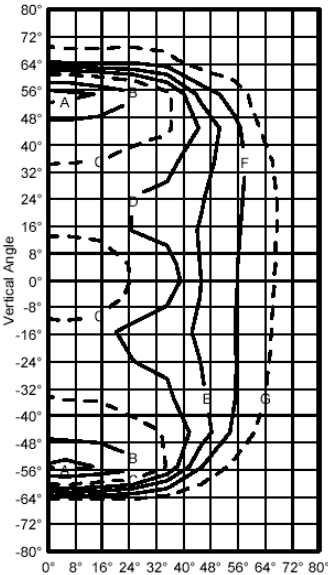
Features:

- Compact design for an unobtrusive presence in the environment.
- Wide NEMA beam patterns available with horizontal lamp.
- Rugged die-cast aluminum housing is powder-coated for durability and corrosion resistance.
- Single door access to lamp and electrical components for quick, easy installation and servicing.
- Pivoting painted yoke is standard; tenon, galvanized and painted wraparound yoke mounting options are available for precise aiming.
- UL listing is standard.
- For easy maintenance, tool-less entry is available.
- Lens is thermal shock and impact resistant tempered glass.
- Hydroformed reflector.
- All electrical components warranted by American Electric Lighting's 6-year guarantee.
- Suitable for -30°C MH & MV / -40°C HPS.
- Note: ED28 lamp must be used with 400W Metal Halide and Mercury Vapor luminaires.



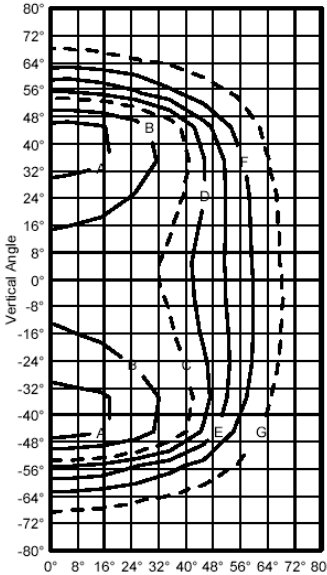
51 15S 77

Isointensity Plot



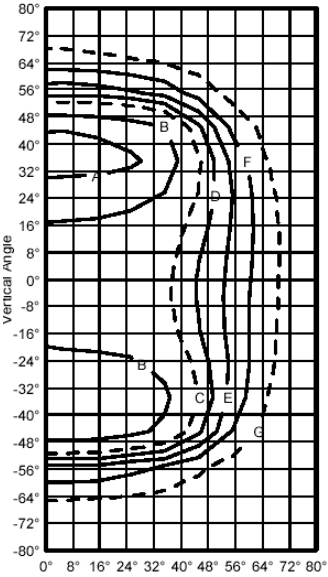
51 40S 77

Isointensity Plot



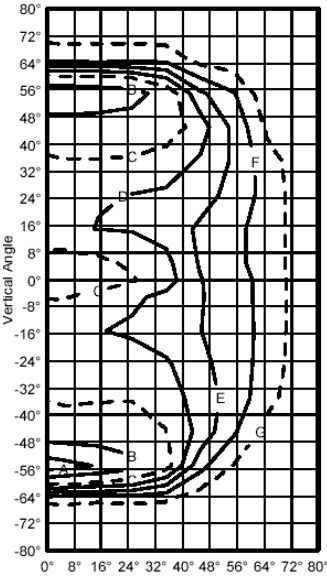
510 40M 76

Isointensity Plot



51 25V 77

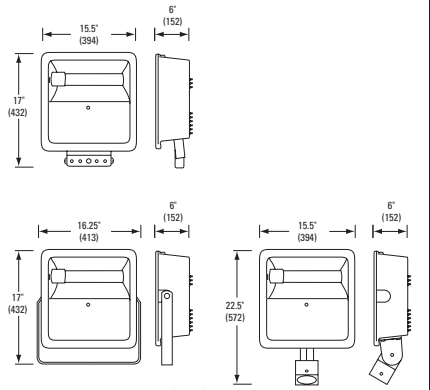
Isointensity Plot



Applications:

- Auto dealerships
- Schools
- Construction sites
- Recreational areas
- Storage yards
- Office buildings
- Airports
- Churches
- Industrial sites
- Shopping centers
- Parking lots
- Substations
- Building facades

DIMENSIONS



Effective Projected Area (EPA)
 The EPA for the Compact flood Series 51 is 1.9 sq. ft
 Approx. Wt. = 30 lbs.

Compact Flood Series 51

Heavy-Duty Floodlight

50-400W HPS, 175-400W MH, 100-400W MV, 250/400 Dual-Watt HPS/MH

ORDERING INFORMATION

Example: 51 40S CA MT1 76 WY 0643

Series	Wattage / Source		Ballast	Voltage	NEMA Beam Pattern
51 Compact Flood	05 50W	S HPS	RN Reactor Normal Power Factor	120 120V	Horizontal Lamp 76 7H x 6V 77 7H x 7V
	07 70W	M MH	RH Reactor High Power Factor	208 208V	
	10 100W	V MV	XN High Reactance (Lag) Normal Power Factor	220 220V	Refer to Optic Distribution Matrix below for compatibility.
	13 100/150W wired 100W		XH High Reactance (Lag) High Power Factor	240 240V	
	14 100/150W wired 150W		CA CWA (Auto Reg)	277 277V	
	15 150W		CT CWI	347 347V	
	17 175W		SC SCWA	480 480V	
	20 200W		MR Mag Reg (3 Coil)	MT1 Multi-tap wired 120V	
	25 250W			MT2 Multi-tap wired 240V	
	31 310W			MT8 Multi-tap wired 208V	
	40 400W ¹			MT7 Multi-tap wired 277V	
	23 250/400W ¹ wired 250W			TT1 Tri-tap wired 120V	
	24 250/400W ¹ wired 400W			TT7 Tri-tap wired 277V	
				TT3 Tri-tap wired 347V	
				DT1 Dual Tap 120/240 wired 120	
				DT2 Dual-tap 120/240 wired 240	
				DT3 Dual-tap 240/480 wired 240	
				DT4 Dual-tap 240/480 wired 480	

Options

Maximum number of options is **eight**, for more options please contact your local American Electric Lighting representative

Mounting	Starter⁷
(blank) Yoke Mount ²	(blank) Open Board (standard)
TM Tenon Slipfitter ²	EC Encapsulated Plug-In
WY Wraparound Yoke ²	OP Open Board Plug-In
GW Galvanized Wraparound Yoke	SN No Ignitor (using self-igniting lamp)

Paint³	Fusing⁸
(blank) Bronze (standard)	SF Single Fuse (120, 277, 347V)
BK Black	DF Double Fuse (208, 220, 240, 480V)
GY Gray	
WH White	

Terminal Block⁴	Cord Length**	Cord Type**
(blank) Hard Wired (standard)	04 4'	63 16-3
TB Terminal Block	05 5'	44 14-49
T2 Wired to L1 and L2	06 6'	43 14-3
T3 3-Wire Operation (L1, N, L2 positions) ¹²	08 8'	23 12-3
	10 10'	
	12 12'	
	15 15'	**Cord length and type should
	20 20'	be combined to form one
	25 25'	number. Ex: 0643
	30 30'	

Listing
(blank) UL Listed (standard)
CS CSA Certified
XL No Listing

Photocontrol Receptacle (NEMA twist-lock)
(blank) Photocontrol Receptacle
NR No Photocontrol Receptacle ⁵
PB Phosphor Bronze Contacts

Lamp	Misc.
LC Lamp Included, Clear	PC Photocontrol Included per Voltage Specified
LD Lamp Included, Deluxe	VS Vandal Shield ⁷
LG Self-Igniting Lamp ⁶	SS Stainless Steel (external)
	5H 50 Hertz Ballast Frequency ¹⁰
	NL NEMA Label
	TL Tool-less Entry
	PGS Ballistic Shield
	GS Glare Shield ¹¹
	SH Shorting Cap

Notes:

- 400 MH requires ED28 reduced-jacket lamp
- Painted to match fixture
- Other colors available; please contact your local American Electric Lighting representative
- VOIDS UL, CSA listings
- PB, PC and SH not available with NR option
- Requires SN options
- HPS only
- VOIDS UL and CSA listing, not available in MT, TT and DT voltage options
- For 3-wire operation and ground
- Limited availability; please contact your local American Electric Lighting representative
- Ships separately
- Not available for 120v fixtures

Optic Distribution

	77	76
15S	◆	-
20S	◆	◆
31S	◆	◆
40S	◆	◆
17M	◆	◆
25M	◆	◆
40M	◆ ¹	◆ ¹

Notes:

- Use ED28 lamp only



American Electric Lighting
Acuity Lighting Group, Inc.
1335 Industrial Boulevard, Conyers, GA 30012
Phone: 800-754-0463 Fax: 770-860-3255
www.americanelectriclighting.com